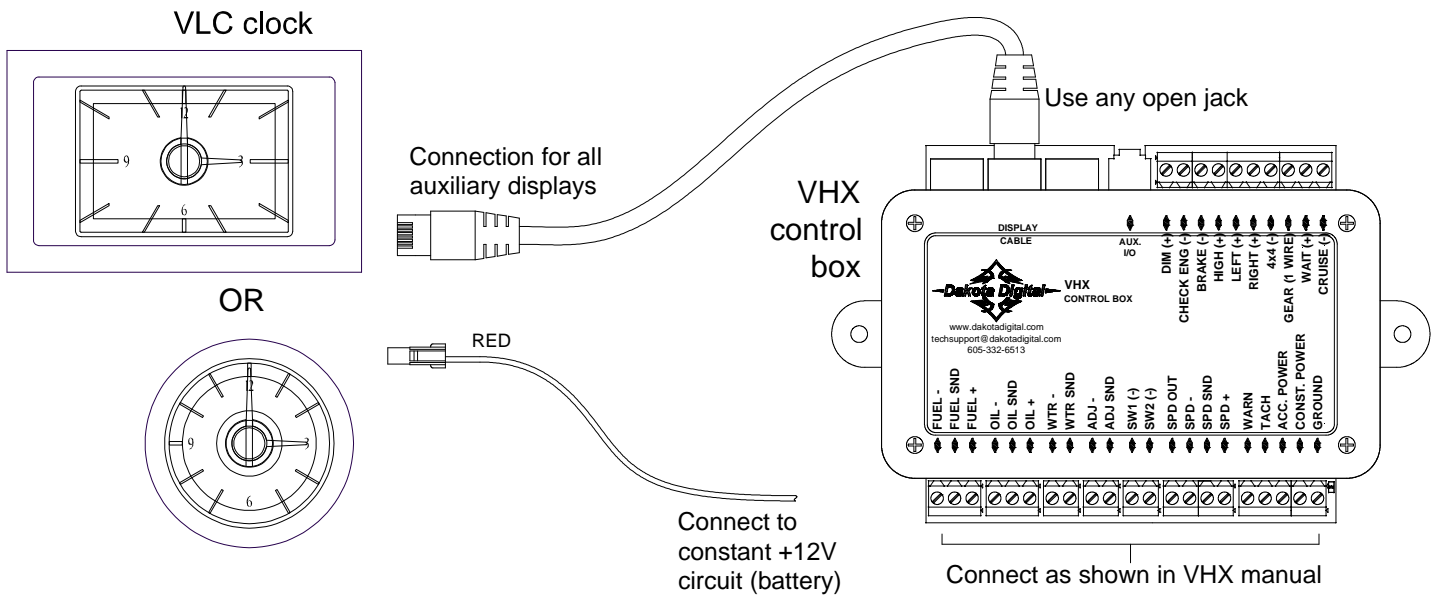




# OPERATION MANUAL FOR VLC-xxx clocks Analog Clock module for use with VHX systems

## CONNECTION DIAGRAM:



## WIRING:

### CAT-5 CABLE:

A CAT-5 cable comes with the kit to connect the VLC to one of the empty jacks on the VHX control box. This cable provides the ground connection for the VLC clock through the VHX control box ground. If a longer or shorter cable is desired, a standard CAT-5, CAT-5E or CAT-6 **PATCH** cable of any length **7 foot or shorter** may be used. Do not use a cable longer than 7 foot or a "crossover" cable as these may cause improper operation or device damage.

*NOTE: Some VHX systems come with a VLC unit integrated into the kit. These systems may already have the CAT-5 connection made inside the system. Other systems may require a CAT-5 jumper to go from the VLC to a jack on another part of the VHX system. Check the VHX system install manual for more specific CAT-5 connection instructions for these systems.*

### BATTERY WIRE:

A single RED wire harness with connector is provided to plug into the back of the VLC. This red wire should be connected to a circuit that has +12v at all times (battery connection). This provides the power for the VLC clock to operate and keep time when the key is turned off. A good place to make this connection is the same circuit that the VHX control box gets its constant power.

## OPERATION:

### CONNECTING POWER:

When the power is first connected to the VLC, the hands on the clock will move quickly around the dial until they point to 12:00. This is normal and is how the VLC calibrates the location of the clock hands. After this calibration mode, the VLC will begin to keep time from 12:00 until the time is updated by the VHX system.

### KEY OFF/ON MODE:

When the key is turned off, the VLC will use its internal clock to keep track of time and move the hands accordingly. When the key is turned on, the VLC will update its time using time data it receives from the VHX system. If this time is different than the time on the VLC, the clock hands will move rapidly either ahead or back to adjust to this new time.

Large differences in time that cause fast hand movement can be caused by several things. If the constant power is lost on the VHX control box, its clock will be reset changing its time in relation to the VLC stored time. Similarly if the time is provided by a BIM expansion module, constant power loss to this module will cause a clock reset. Also if the BIM expansion module that provided time became disconnected from the BIM connector on the VHX control box, the VLC will revert to getting the time data from VHX control box and this time may be different than the time previously provided by the BIM module.

### SETTING THE CLOCK:

The VLC will automatically set itself from clock data in the VHX system. Simply connect the VLC to the VHX system and connect constant power to the VLC. When the key is turned on, it will adjust the clock hands to match the time data from the VHX system.

#### NO CLOCK BIM MODULES

If time data is not provided by any of the connected BIM expansion modules, the VHX system time is used to update the VLC time. Use the following steps to adjust the time if the VHX system time is being used.

1. Turn the key on to power on the VHX system.
2. Press and release the VHX switch until clock screen is displayed in VHX message center. (If the clock screen display has been disabled in VHX setup, it will need to be re-enabled to set the clock. It can again be disabled after the clock is set if so desired. See VHX operations manual for details.)
3. Press and hold the VHX switch to enter clock set mode.
4. Adjust time by pressing and releasing switch, save setting by holding switch.
5. VLC hands will adjust automatically to the time as it is changed.

#### BIM MODULES WITH CLOCK

Several BIM expansion modules can provide time data to the VHX system. The BIM-16-1 clock module and the GPS-50-1 compass module are two examples of this. If this type of module is being used and the clock channel is turned on, the VLC will update from this time instead of the VHX system time. To set the VLC clock when using a BIM time channel, use the following steps (see VHX operations manual or the BIM expansion module manual for more details on setting BIM channel time):

1. While holding VHX switch 1, turn the key on to turn on VHX system and enter setup.
2. Press and release switch 1 until the SETUP BIM option and press and hold switch to select it.
3. Press and release switch until SETUP option and press and hold to select it.
4. Press and release switch until the clock BIM channel is displayed. Press and hold to select.
5. Press and hold to select "CLOCK" label. Message will show current time. Release switch.
6. Press and release to change time. Press and hold to set.
7. Exit setup mode by turning key off when completed.

*NOTE: The VLC may not track every change when setting but will update to new time with next key on.*

## SETTING CLOCK WHEN ALL 16 BIM CHANNELS ARE IN USE:

If all 16 available BIM channels are used for expansion modules and none of the channels are clock data, the VLC unit will not be able to receive time updates from the VHX system. However, the VLC unit is still able to keep time after it is set without these updates. In order to set the VLC time when all 16 channels are used, follow this procedure:

1. Disconnect one or more BIM expansion modules from the BIM expansion port on the VHX control box.
2. Make sure the VLC is properly installed and connected to the VHX system.
3. Turn the key on. If the VHX system time is correct, the VLC will automatically update to the correct time.
4. If the VHX system time is not the correct time, change one of the screens to display the time and set to the correct time by holding the switch (see VHX operations manual for details on clock setting). The VLC will adjust to match the time as you adjust it.
5. Turn the key off.
6. Reconnect the BIM expansion modules.
7. The VLC will keep time using its internal clock as long it stays connected to its constant power and a properly grounded VHX control box. To make later adjustments to the VLC time, repeat this procedure as needed.

## MULTIPLE BIM CLOCK CHANNELS:

If more than one connected BIM expansion module is providing a time channel, there will be multiple clock sources for the VLC. In this case, the VLC will attempt to update its time from more than one source. This will cause the clock hands to rapidly move back and forth as the internal clock is continually changed in the VLC.

To solve this problem, either disconnect any extra BIM expansion modules with clocks or disable the clock channels on all but one of the BIM expansion modules so only one clock source is seen by the VLC.

## ADJUSTING DIAL BRIGHTNESS:

The illumination for the VLC clock dial is controlled by the VHX control box. The brightness level will match the brightness level of the other VHX displays. To adjust this brightness level, use the VHX control box setup menu. A brightness level can be set for day time and night time (based on the DIM line to the VHX control box.) For more details on illumination settings, see the VHX operations manual.

VLC Specifications	
SUPPLY	
Voltage Range (BAT)	8 to 18 V
CURRENT DRAW (BAT)	
IGN off	Approximately 0.5 mA
IGN on	< 75 mA

### **SERVICE AND REPAIR**

DAKOTA DIGITAL offers complete service and repair of its product line. In addition, technical consultation is available to help you work through any questions or problems you may be having installing one of our products. Please read through the Troubleshooting Guide. There, you will find the solution to most problems. **Should you ever need to send the unit back for repairs, please call our technical support line, (605) 332-6513, to request a Return Merchandise Authorization number.** Package the product in a good quality box along with plenty of packing material. Ship the product by UPS or insured Parcel Post. Be sure to include the RMA number on the package, and include a complete description of the problem with RMA number, your full name and address (street address preferred), and a telephone number where you can be reached during the day. Any returns for warranty work must include a copy of the dated sales receipt from your place of purchase. Send no money. We will bill you after repair.

### **Dakota Digital Limited Lifetime Warranty**

DAKOTA DIGITAL warrants to the ORIGINAL PURCHASER of this product that should it, under normal use and condition, be proven defective in material or workmanship for the lifetime of the original vehicle it was installed in, such defect(s) will be repaired or replaced at Dakota Digital's option.

This warranty does not cover nor extend to damage to the vehicle's systems, and does not cover removal or reinstallation of the product. This Warranty does not apply to any product or part thereof which in the opinion of the Company has been damaged through alteration, improper installation, mishandling, misuse, neglect, or accident.

This Warranty is in lieu of all other expressed warranties or liabilities. Any implied warranties, including any implied warranty of merchantability, shall be limited to the duration of this written warranty. No person or representative is authorized to assume, for Dakota Digital, any liability other than expressed herein in connection with the sale of this product.

## TROUBLESHOOTING:

<b>Problem</b>	<b>Possible cause</b>	<b>Solution</b>
Clock time never changes	Battery wire not connected	Check that the battery wire is plugged into back of VLC unit and is connected to a constant +12V circuit
	VHX connection not made	Check that a CAT-5 cable connects from the back of VLC to one of the connectors on the VHX control box or a VHX display
Backlights always on when key on, clock hands not keeping time	Battery wire not connected	Check that the battery wire is plugged into back of VLC unit and is connected to a constant +12V circuit
Clock hands spin to 12:00 every time key turned on	Battery wire connected to switched power not constant	Move battery wire from the switched 12v circuit to a circuit that has constant +12v
	VHX control box constant power connected to switched power	Move BAT connection for VHX control box from switched 12V circuit to circuit with constant 12V
	No constant power on clock BIM expansion module	Check power connections on BIM clock module for correct connections (see BIM manual)
Clock doesn't keep track of time when key is off	Battery wire not connected	Check that battery wire is connected to a constant +12V circuit
	Battery wire connected to switched power not constant	Move battery wire from the switched 12v circuit to a circuit that has constant +12v
Clock will not adjust time to match VHX system time	Battery wire not connected	Check that battery wire is connected to a constant +12V circuit
	All 16 BIM channels are used and none of the channels is a clock	Remove or disable an unused BIM channel. If all the channels are to be used, see "Setting the clock when all 16 BIM channels in use" in this manual.
	No data is on the VHX communication line.	Verify displays of VHX system are working. If they display "NO DATA..." inspect the CAT-5 cables and the BIM expansion cables for damage and proper connection.
	VHX connection not made	Check that a CAT-5 cable connects from the back of VLC to one of the connectors on the VHX control box or a VHX display
Clock hands move erratically or jump between two different times	Multiple clock sources are present in the VHX system	Remove additional Clock BIM sources by disconnecting the BIM module or disabling the clock channel for all but one BIM module.
Backlights flash continually with the key on and time doesn't change.	VLC internal clock is damaged or not functioning properly	Call Dakota Digital for RMA number to return product for repair



4510 W. 61st St. North  
Sioux Falls, SD 57107  
www.dakotadigital.com  
dakotasupport@dakotadigital.com

Phone (605) 332-6513  
Fax (605) 339-4106

Copyright 2013 – Dakota Digital, Inc.