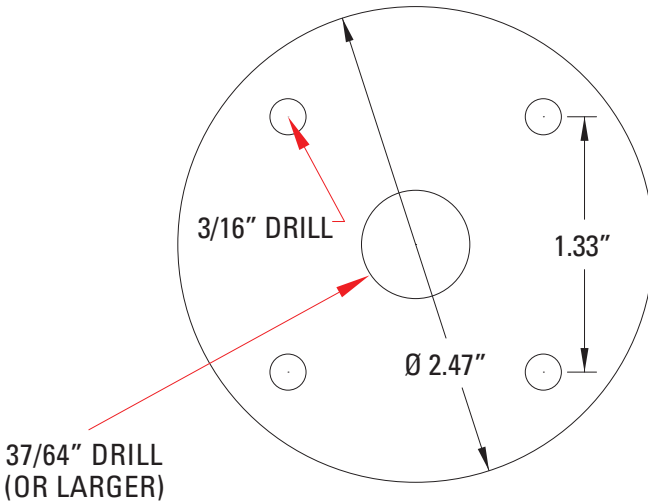


MS110-40, MS110-41, MS110-45 HOOD PIN INSTRUCTIONS



If you have printed these instructions, use the dimensions listed to verify that they have printed to scale.